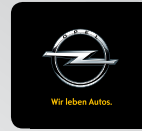




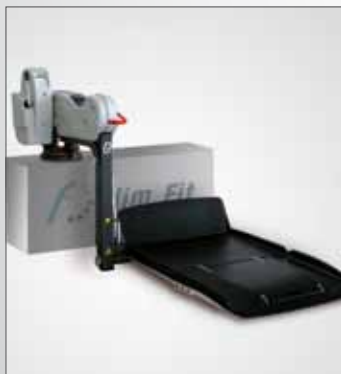
FOCACCIA GROUP
A U T O M O T I V E



**OPEL
CERTIFIED
CONVERSION**

OPEL COMBO F360 HIGH ROOF

- ▶ European Type Approval
- ▶ Italian design and high-quality materials
- ▶ Versatile seating configuration
- ▶ Unbeatable Ease of Use
- ▶ Premium interior height
- ▶ Easy = Safe Certified Conversion



Fiorella Slim Fit

The new Fiorella Slim Fit Lift is the perfect synthesis of functionality, safety and ergonomics. It can be operated via the **Standard Radio Remote** or the Integrated Key-Pad, as well as other optional wireless and wired remote controls. Fiorella Lift is intuitive and safe to use thanks to its unique safety devices, such as Weight Sensor, Anti-Crushing and Anti-Tilting system.



Easy = Safe

Thanks to Fiorella Lift's unique features, loading and securing the wheelchair and its occupant has never been so easy!

The caregiver can carry out the whole operation standing outside the vehicle without any effort or risk.

The **Easy = Safe** option on Opel Combo F360 enables an unrivalled ease of use for the caregiver and an uncompromised safety for the wheelchair passenger.

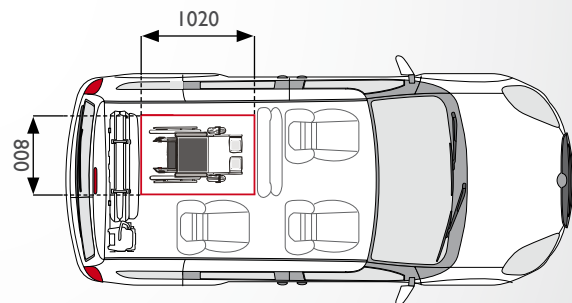
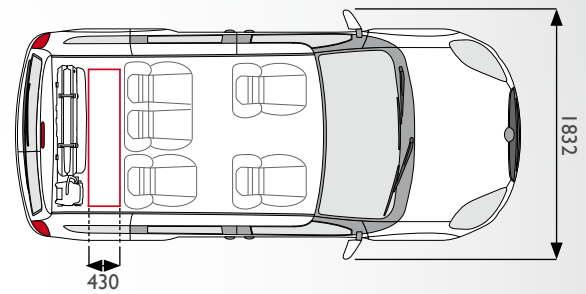
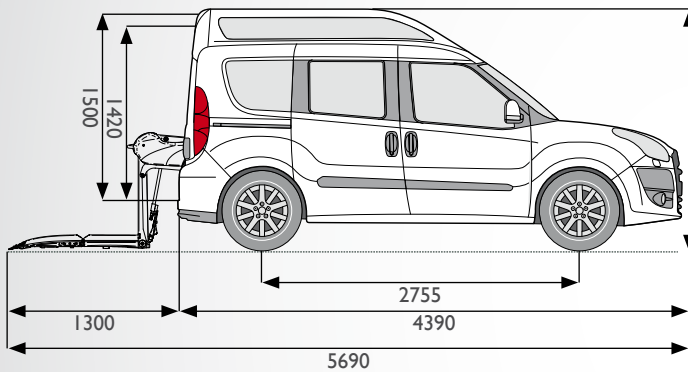


▶ Watch
the video
online



F-Twister® Allows rotating the Fiorella Lift by 90 degrees. This option makes loading of luggage and goods very easy, and it also represents a quick and efficient emergency exit. Not only! F-Twister also helps the caregiver to carry out wheelchair and occupant tie-down operation from a comfortable position, standing outside the vehicle.

CONFIGURATIONS AND TECHNICAL SPECS



1 + 1 = 3+1

Usable internal height 1500 mm
 Access height 1420 mm
 Wheelchair parking area 1020x800 mm

HOMOLOGATION Focaccia Group's homologation department is in direct contact with the main body builders and with the Italian Ministry of Transport, guaranteeing compliance with the European norms and safety criteria of the original vehicle.

WARRANTY Focaccia Group conversions are covered by 24 months warranty on manufacturing defects. Authorized Service Partners are available all over Europe to guarantee a timely and efficient service.

SERVICE Focaccia Group provides an efficient Technical Service open from Monday to Friday from 8:00 to 12:30 and from 14:00 to 17:30. You can contact us by e-mail service@focaccia.net or by phone [+39 \(0\)544 20 23 44](tel:+390544202344). A specialized technician will take care of your inquiries.

Images shown are illustrative and for promotional purposes. Colors, shapes, dimensions and equipment may differ from those here indicated.



FOCACCIA GROUP
AUTOMOTIVE



FOCACCIA GROUP
COMPONENTES AUTOMOTIVOS



fiorella
wheelchair systems

SS16 KM172 48015 CERVIA (RA) ITALY
 T +39 0544 973669 | F +39 0544 977232

INFO@FOCACCIA.NET

FOCACCIAGROUP.CH

FOCACCIAGROUP.COM.BR

FOCACCIAGROUP.COM
 FIORELLA.WS

FOLLOW US ON

